

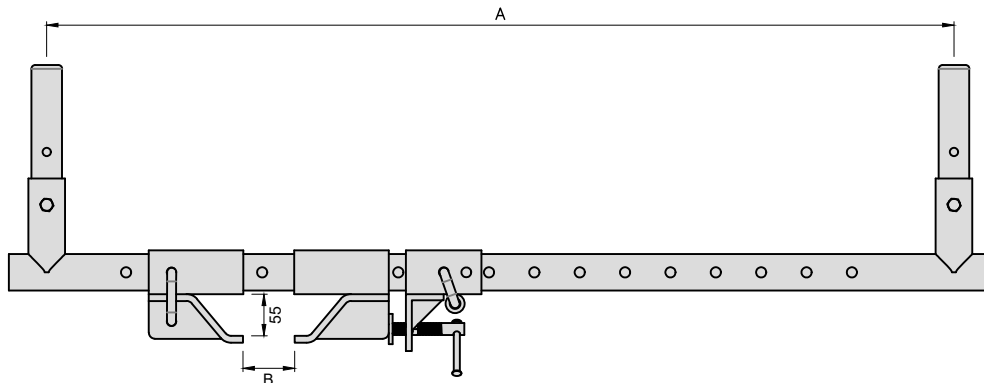
I-BEAM CATCH BASE 工字通道底桿

Item Code	A	B	Weight
TSP-IBCB4	1200	100 - 680	10.6 kg
TSP-IBCB5	1450	190 - 920	11.3 kg
TSP-IBCB6	1700	430 - 1190	12.0 kg

- Safety Working Load: 200 kg (Cantilever Span)
- Max. Cantilever Span: 500 mm
- Max. I-Beam Flange Thickness: 55mm

ADVANTAGES

- Developed for support of temporary walkway on steel I-beam
為在鋼工字鋼上支撐臨時行人通道而開發的底桿
- Excellent stability and strength
優良的穩定性和強度
- Simple installation and dismantle process
簡單的安裝和拆卸程序



Temporary Access on I-Beam Example

